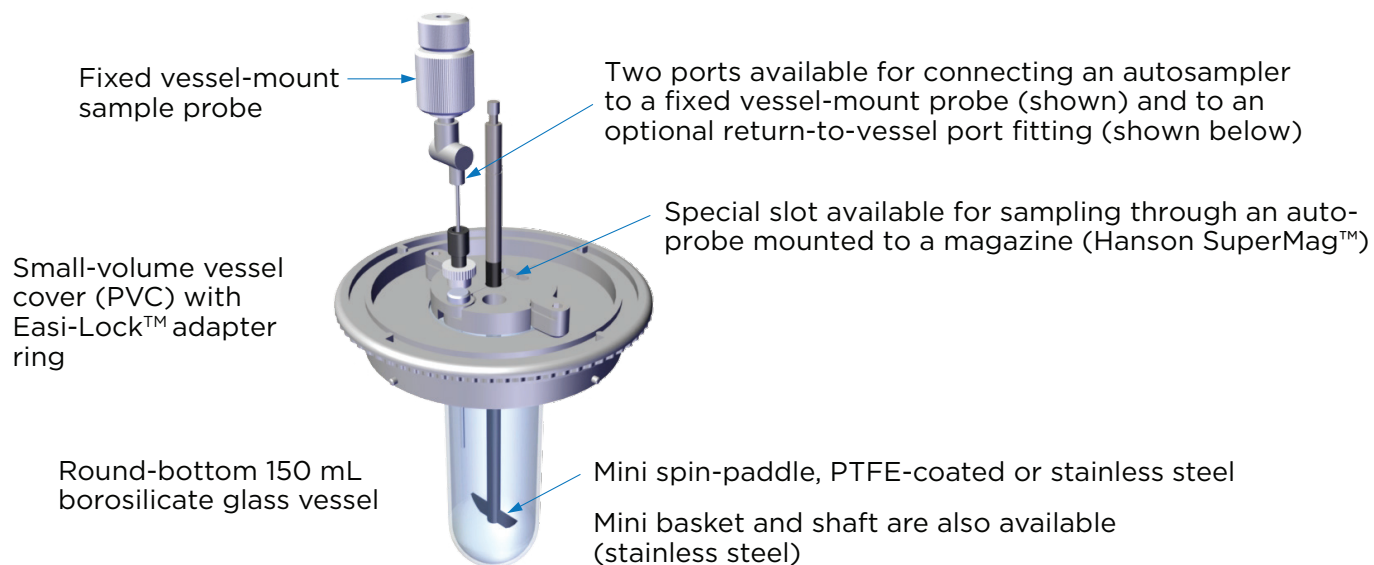


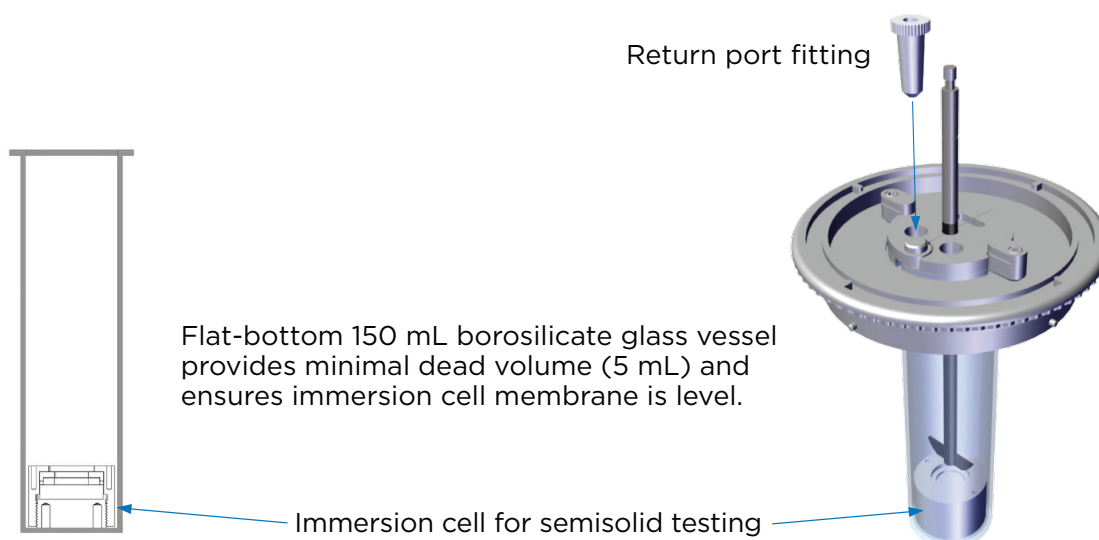
SMALL VOLUME ACCESSORIES FOR VISION® G2 TESTERS

Convert your 1-liter Vision® G2 Elite 8™ or Vision® G2 Classic 6™ tester into a small-volume dissolution system (manual or automated sampling) for low-concentration drug formulations and other special applications.

SMALL VOLUME CONFIGURATION WITH ROUND BOTTOM VESSEL



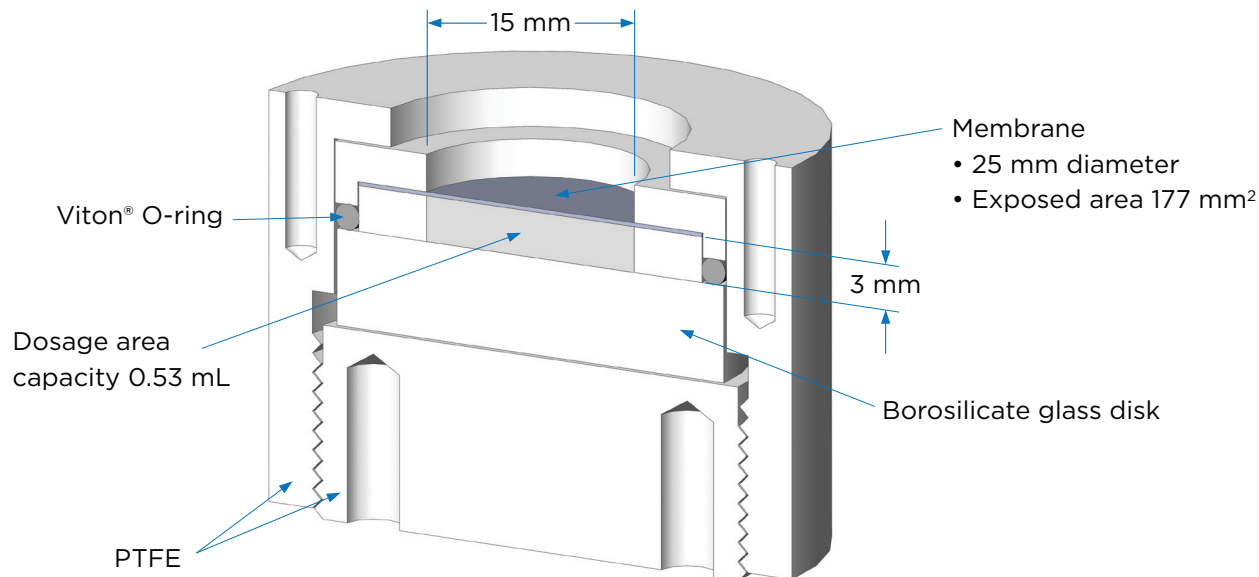
FLAT BOTTOM VESSEL WITH IMMERSION CELL



SMALL VOLUME ACCESSORIES FOR VISION® G2 TESTERS

The Teledyne Hanson immersion cell allows release-rate testing of semisolids using standard Vision G2 dissolution testers. Special tools provide fast and easy setup and removal of the immersion cell.

IMMERSION CELL DESIGN



ORDERING INFO

Small-volume accessories for Vision G2 testers are not compatible with SR8-Plus™ testers (except for the immersion cells). For further information please contact your Teledyne Hanson Research representative or email us at hansonsales@teledyne.com.

SMALL VOLUME VESSELS

- 74-105-151** Vessel, Round Bottom, 150 mL
- 74-105-161** Vessel, Round Bottom, 150 mL, Amber
- 74-105-152** Vessel, Flat Bottom, 150 mL
- 74-105-162** Vessel, Flat Bottom, 150 mL, Amber

PADDLES AND BASKETS

- 74-105-203** Mini Spin-Paddle, PTFE Coated
- 74-105-204** Mini Spin-Paddle, 316 SS
- 74-105-221** Mini Basket, 40 Mesh, 316 SS (Min. order 6; requires Mini Spin-Basket Shaft 74-105-220)
- 74-105-220** Mini Spin-Basket Shaft (Min. order 6; order with Mini Basket 74-105-221)

SAMPLING PROBES

- 74-104-201** Manual Sampling Cannula, Adjustable, 1/8 in., PEEK
- 74-104-211** Fixed Vessel-Mount Sample Probe, Adjustable, 1/16 in., 316 SS
- 74-105-307** Auto-Probe, 1/8 in., PEEK (requires SuperMag™ and Tubing Harness)

IMMERSION CELLS

- 65-190-043** Immersion Cell Only, 15 mm
- 65-190-051** Immersion Cell w/Tools, 15 mm (Single Cell)
- 65-190-052** Immersion Cell w/Tools, 15 mm (Set of 6)

COVERS, ADAPTER RINGS, RETURN PORT FITTING

- 74-104-163** Vessel Cover for 150 mL Vessels
- 74-104-155** Easi-Lock Adapter Ring for 150 mL Vessels
- 74-104-205** Return Port Fitting